

Banded Wood Round Lazy Susans

Installation Instructions for the BLSR2xx Series

hardware
resources[®]

IMPORTANT:

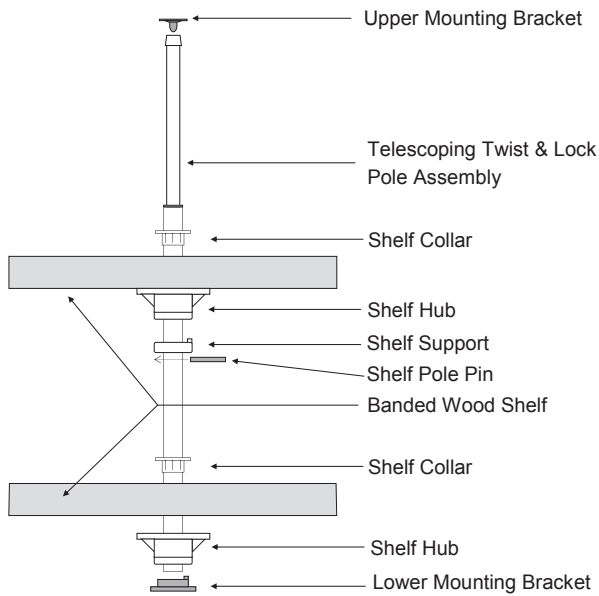
Before you begin, make sure you familiarize yourself with all the parts and fully read the instructions.

CUSTOMER SERVICE:

Toll-free customer help line available weekdays between 7:00am and 6:00pm Central Time at 800-463-0660.

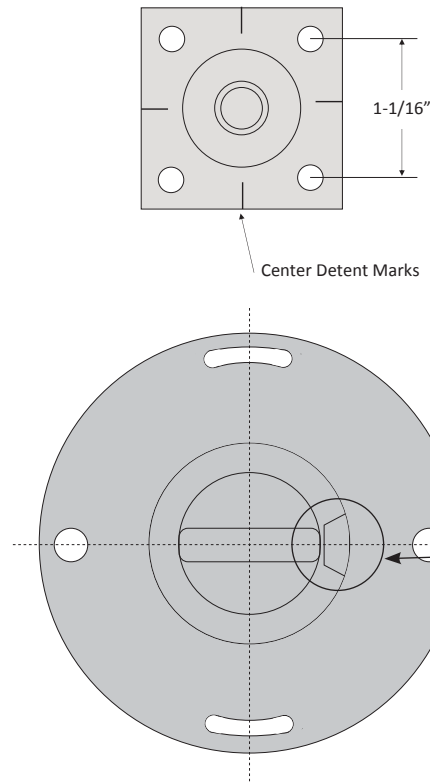
TOOLS NECESSARY:

Screw gun or Phillips screwdriver and tape measure. NOTE: If screw gun has a clutch, set to lowest setting so as not to over tighten and/or strip screws.



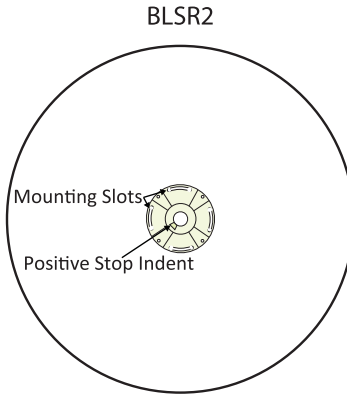
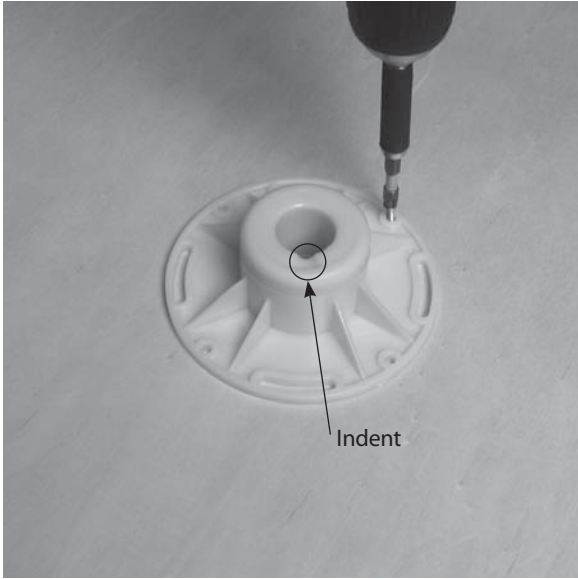
#8 x 5/8" Pan Head Phillips Wood Screw	8X
#6 x 1/2" Pan Head Phillips Wood Screw	4X per shelf
Telescoping Twist & Lock Pole Assembly	1X
Round Shelf	2X
Shelf Hub	2X
Shelf Collar	2X
Shelf Support	1X
Steel Pole Pin	1X
Lower Mounting Bracket	1X
Upper Mounting Bracket	1X

STEP 1 Measure and Mount Support



Mark layout for Lower Mounting Bracket by placing a shelf in the cabinet. Center the shelf on the cabinet door so you have proper clearance from cabinet walls and door. Mark the mounting location by tracing the shelf. Draw an "X" through the center of the circle as shown. Measure the center of the bottom edge of the shelf. Align Upper Mounting Bracket with center detent marks and install with four (4) - #8 x 5/8" Pan Head Phillips Wood Screws. Install Lower Mounting Bracket and secure with four (4) - #8 x 5/8" Pan Head Phillips Wood Screws as shown.

STEP 2 - Install Hubs



Turning a shelf upside down, attach the Shelf Hub with four (4) - #6 x 1/2" Pan Head Phillips Wood Screws in the center of the mounting slots as shown. Turning shelf back over push the Shelf Collar into the top of the shelf until flush. Repeat with second shelf.

STEP 3 - Shelf As



From the bottom of the pole, slide one Shelf Assembly, the Shelf Support onto the Pole Assembly. Slide bottom of Pole Assembly into the Shelf Support.

STEP 4 - Pole Extension



Holding onto the lower pole, twist the upper pole counter-clockwise to release. Extend pole upwards until it rests firmly against the Top Mounting Bracket and tighten by turning the upper pole clockwise.

STEP 5 - Shelf Adj



Raise upper shelf and Shelf Support to desired height and position. Lower the Shelf Support aligning the pin with the hole on the pole.